



Staple type: BS 29000  
 14 GAUGE STAPLES WIDE CROWN  
 Wire Ø: 2.00mm

### Suitable for the following tools\*:

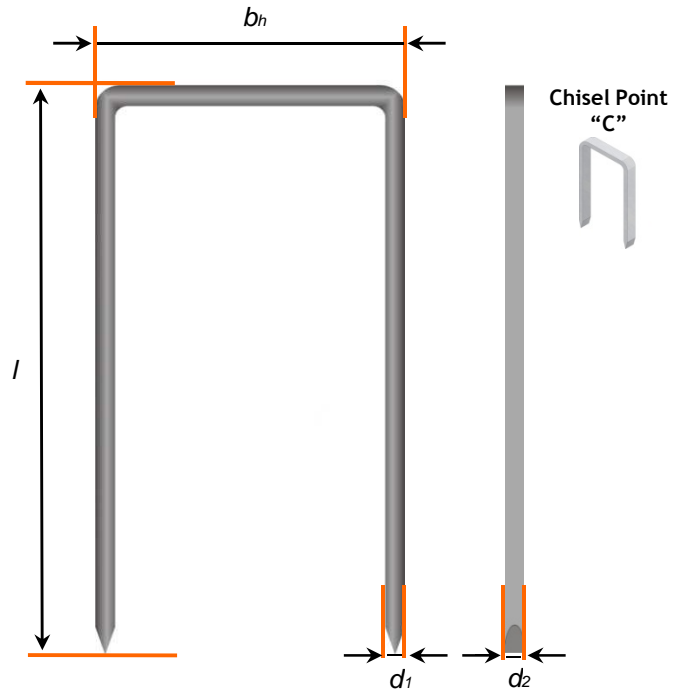
haubold PN 29130 D  
 PN 29150 D  
 PN 29180 D

\*please check staple length compatibility with each tool before use

Staple lengths available: 65mm - 180mm  
 Staples per strip: 40

### CORROSION PROTECTION

Finish	Usage Environment	Label Colour on Packaging
Electro Galv 12µm Min 86g/m <sup>2</sup>	Service Class 1 & 2 INDOOR & COVERED OUTDOOR	Purple
Stainless Steel A2 AISI 304 / Wnr 1.4301	Service Class 1,2 & 3 INDOOR, COVERED OUTDOOR & OUTDOOR	Yellow



### STAPLE PROPERTIES / DIMENSIONS

Tensile strength of wire: min 900 N/mm<sup>2</sup>  
 Wire diameter (d): 2.00mm  
 Flattened wire dimension: (d1): 1.77mm  
 (d2): 2.08mm  
 Outside crown width(bh): max 27.00mm  
 Strip length: max 85.20mm  
 Standard point: "C"  
 Resin coating: up to 85mm = Full  
 over 85mm = Partial

### APPROVALS

Valid for Electro Galv 12µm & Stainless Steel 65mm - 130mm



haubold-Klammern gemäß  
 DIN1052 auch für langfristige oder  
 ständige Beanspruchung auf  
 Herausziehen nach allg.  
 bauaufsichtl. Zulassung  
**Nr Z-9.1-739**

### STAPLE LENGTHS AVAILABLE\*

Finish	Lengths Available
Electro Galv 12µm Min 86g/m <sup>2</sup>	65mm, 75mm, 100mm, 110mm, 120mm, 130mm, 150mm, 180mm
Stainless Steel A2 AISI 304 / Wnr 1.4301	65mm, 75mm, 85mm, 100mm, 110mm, 120mm, 130mm, 150mm, 180mm