



Staple type: BK 2500
 16 GAUGE STAPLES WIDE CROWN
 Wire Ø: 1.53mm

Suitable for the following tools*:

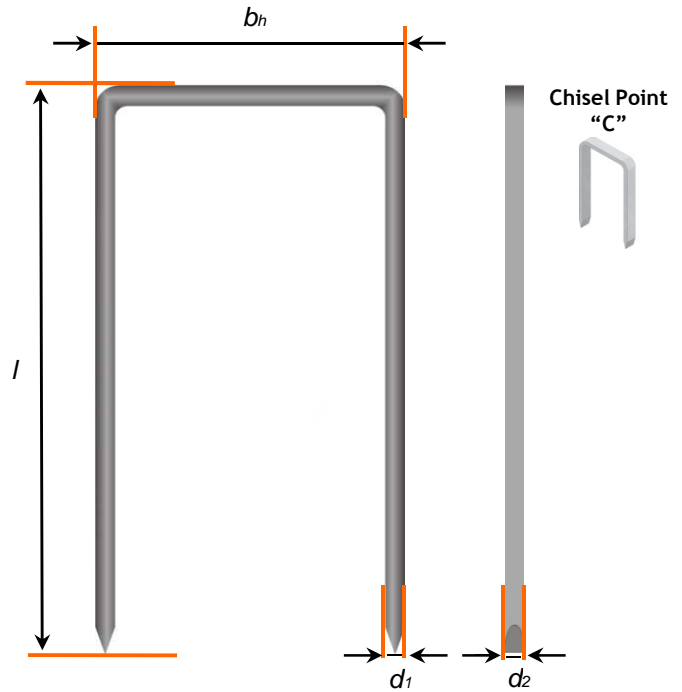
haubold PN 2550 A
 PN 2575 A/HWL

**please check staple length compatibility with each tool before use*

Staple lengths available: 16mm - 75mm
 Staples per strip: 52

CORROSION PROTECTION

Finish	Usage Environment	Label Colour on Packaging
Electro Galv 3µm Min 21g/m ²	Service Class 1 INDOOR	Blue
Electro Galv 12µm Min 86g/m ²	Service Class 1 & 2 INDOOR & COVERED OUTDOOR	Purple
Stainless Steel A2 AISI 304 / Wnr 1.4301	Service Class 1,2 & 3 INDOOR, COVERED OUTDOOR & OUTDOOR	Yellow



STAPLE PROPERTIES / DIMENSIONS

Tensile strength of wire:	min 900 N/mm ² 12µm min 1200N/mm ²
Wire diameter (d):	1.53mm
Flattened wire dimension:	(d1): 1.35mm (d2): 1.60mm
Outside crown width(bh):	max 26.00mm
Strip length:	max 84.24mm
Standard point:	"C"
Resin coating:	Full

APPROVALS

Valid for Electro Galv 12µm 65mm & 75mm & Stainless Steel 38mm – 75mm



haubold-Klammern gemäß
 DIN1052 auch für langfristige oder
 ständige Beanspruchung auf
 Herausziehen nach allg.
 bauaufsichtl. Zulassung
Nr Z-9.1-737

STAPLE LENGTHS AVAILABLE*

Finish	Lengths Available <small>*Please check availability in Product Catalogue</small>
Electro Galv 3µm Min 21g/m ²	16mm, 19mm, 25mm, 32mm, 38mm, 44mm, 50mm
Electro Galv 12µm Min 86g/m ²	65mm, 75mm
Stainless Steel A2 AISI 304 / Wnr 1.4301	50mm, 65mm, 75mm

haubold is a brand of the ITW Group. ITW reserves the right to change specification without notice. All design using this data should be carried out by a qualified structural engineer, subject to relevant National and European standards or regulations.

Issue date 25.05.2011 © ITW